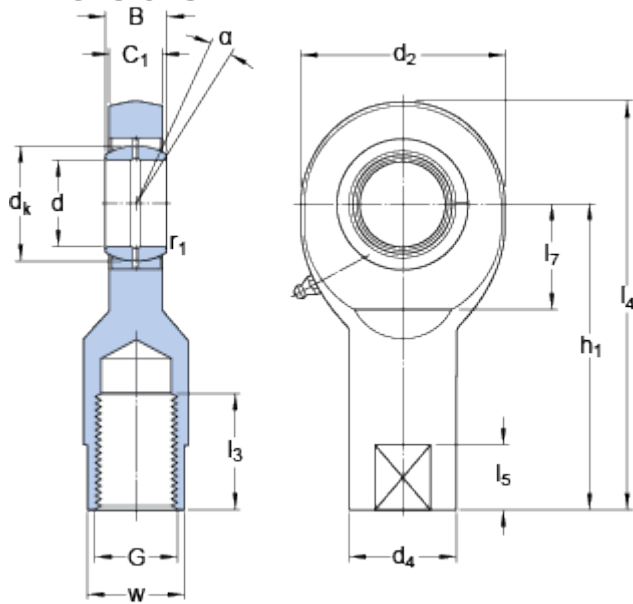


# SI 30 ES

## Dimensions



d		30	mm
d <sub>2</sub>	max.	75	mm
B		22	mm
G	6H	M 30x2	
C <sub>1</sub>	max.	20	mm
h <sub>1</sub>		110	mm
α		6	°
d <sub>k</sub>		40.7	mm
d <sub>4</sub>	≈	42	mm
l <sub>3</sub>	min.	45	mm
l <sub>4</sub>	max.	149	mm
l <sub>5</sub>	≈	19	mm
l <sub>7</sub>	min.	36	mm
w	h14	36	mm
r <sub>1</sub>	min.	0.6	mm

## Calculation data

Basic dynamic load rating	C	62	kN
Basic static load rating	C	116	kN
Specific dynamic load factor	K	100	N/mm <sup>2</sup>
Material constant	K <sub>M</sub>	330	

## Mass

Mass rod end		1	kg
--------------	--	---	----