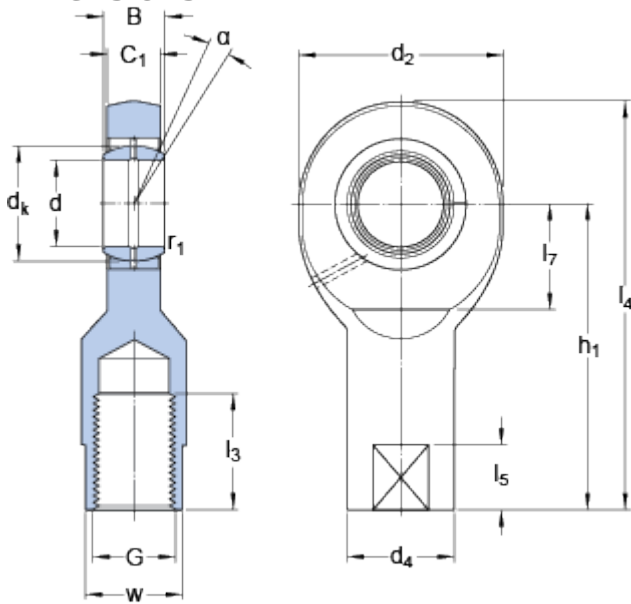


# SI 20 ES

## Dimensions



d	20	mm
d <sub>2</sub>	max. 54	mm
B	16	mm
G	6H M 20x1.5	
C <sub>1</sub>	max. 13.5	mm
h <sub>1</sub>	77	mm
α	9	°
d <sub>k</sub>	29	mm
d <sub>4</sub>	≈ 28	mm
l <sub>3</sub>	min. 30	mm
l <sub>4</sub>	max. 106	mm
l <sub>5</sub>	≈ 16	mm
l <sub>7</sub>	min. 24	mm
w	h14 24	mm
r <sub>1</sub>	min. 0.3	mm

## Calculation data

Basic dynamic load rating	C	30	kN
Basic static load rating	C	57	kN
Specific dynamic load factor	K	100	N/mm <sup>2</sup>
Material constant	K <sub>M</sub>	330	

## Mass

Mass rod end	0.36	kg
--------------	------	----