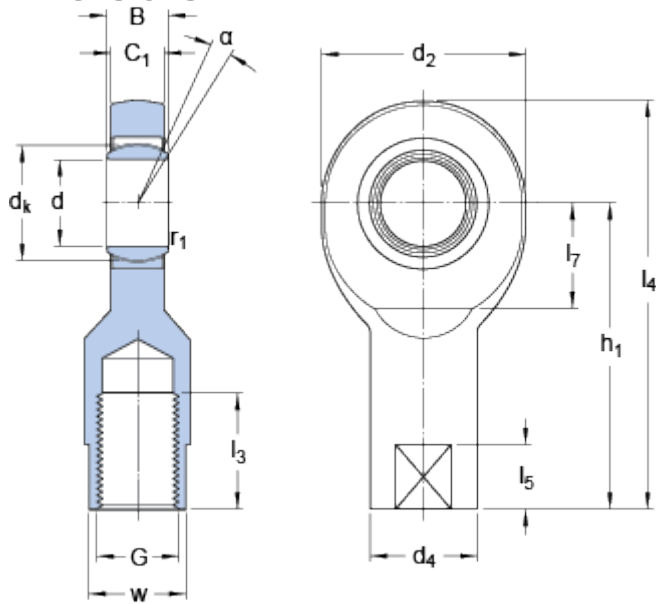


SI 20 C

Dimensions



d	20	mm
d_2	max. 54	mm
B	16	mm
G	6H M 20x1.5	
C_1	max. 13.5	mm
h_1	77	mm
α	9	°
d_k	29	mm
d_4	≈ 28	mm
l_3	min. 30	mm
l_4	max. 106	mm
l_5	≈ 16	mm
l_7	min. 24	mm
w	h14 24	mm
r_1	min. 0.3	mm

Calculation data

Basic dynamic load rating	C	31.5	kN
Basic static load rating	C	57	kN
Specific dynamic load factor	K	100	N/mm ²
Material constant	K_M	1400	

Mass

Mass rod end	0.35	kg
--------------	------	----