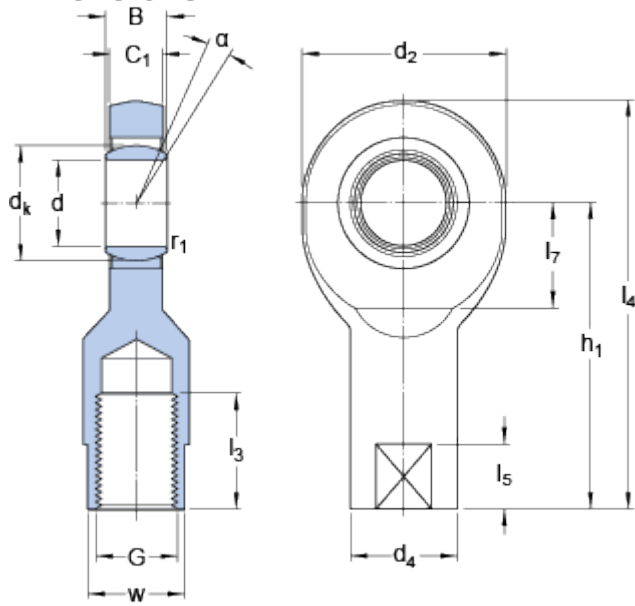


# SI 12 E

## Dimensions



$d$		12	mm
$d_2$	max.	35	mm
$B$		10	mm
$G$	6H	M 12	
$C_1$	max.	8.5	mm
$h_1$		50	mm
$\alpha$		10	°
$d_k$		18	mm
$d_4$	≈	19	mm
$l_3$	min.	18	mm
$l_4$	max.	69	mm
$l_5$	≈	12	mm
$l_7$	min.	17	mm
$w$	h14	17	mm
$r_1$	min.	0.3	mm

## Calculation data

Basic dynamic load rating	C	10.8	kN
Basic static load rating	C	25.5	kN
Specific dynamic load factor	K	100	N/mm <sup>2</sup>
Material constant	$K_M$	330	

## Mass

Mass rod end	0.11	kg
--------------	------	----