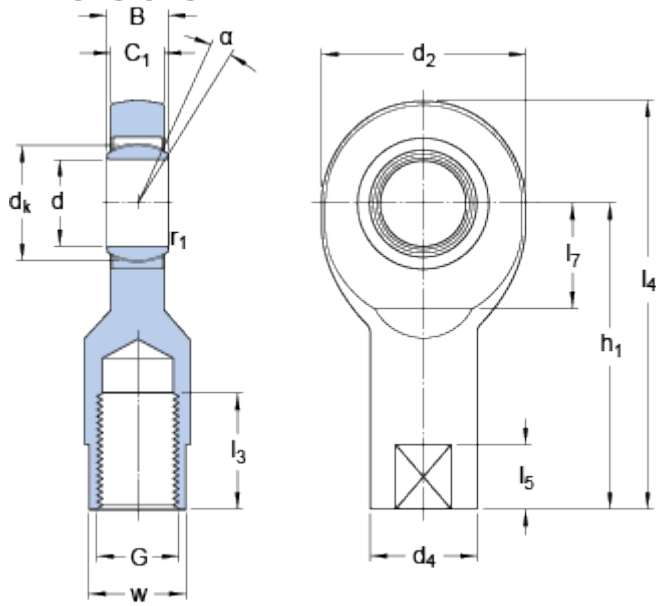


SI 10 C

Dimensions



d		10	mm
d_2	max.	30	mm
B		9	mm
G	6H	M 10	
C_1	max.	7.5	mm
h_1		43	mm
α		12	°
d_k		16	mm
d_4	≈	16	mm
l_3	min.	15	mm
l_4	max.	60	mm
l_5	≈	11	mm
l_7	min.	14	mm
w	h14	14	mm
r_1	min.	0.3	mm

Calculation data

Basic dynamic load rating	C	8.65	kN
Basic static load rating	C	3250	kN
Specific dynamic load factor	K	100	N/mm ²
Material constant	K_M	1400	

Mass

Mass rod end		0.065	kg
--------------	--	-------	----