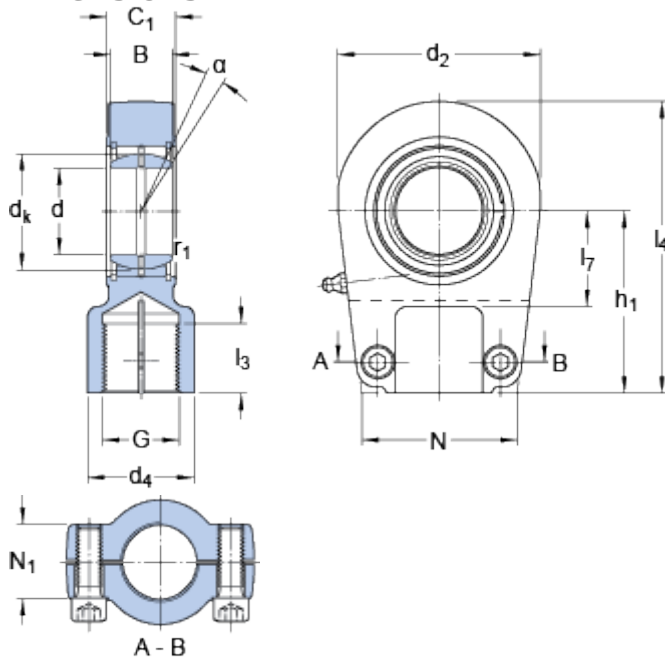


# SIR 40 ES

## Dimensions



d		40	mm
d <sub>2</sub>	max.	96	mm
B		28	mm
G	6H	M 35x1.5	
C <sub>1</sub>	max.	35.5	mm
h <sub>1</sub>		85	mm
α		7	°
d <sub>k</sub>		53	mm
d <sub>4</sub>	max.	50.5	mm
l <sub>3</sub>	min.	36	mm
l <sub>4</sub>	max.	136	mm
l <sub>7</sub>	min.	44	mm
N	max.	76	mm
N <sub>1</sub>	max.	35.5	mm
r <sub>1</sub>	min.	0.6	mm

## Bolts with internal hexagon

Size bolt with internal hexagon	M 10
Tightening torque bolt with internal hexagon	46 N·m

## Calculation data

Basic dynamic load rating	C	100	kN
Basic static load rating	C	200	kN
Specific dynamic load factor	K	100	N/mm <sup>2</sup>
Material constant	K <sub>M</sub>	330	

## Mass

Mass rod end	2.22	kg
--------------	------	----