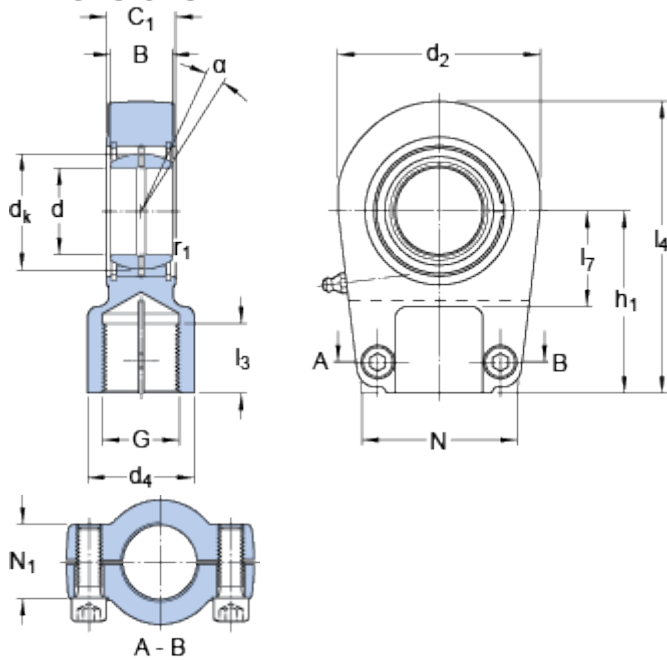


SIR 30 ES

Dimensions



d		30	mm
d ₂	max.	66	mm
B		22	mm
G	6H	M 22x1.5	
C ₁	max.	28.5	mm
h ₁		60	mm
α		6	°
d _k		40.7	mm
d ₄	max.	33	mm
l ₃	min.	23	mm
l ₄	max.	95	mm
l ₇	min.	29	mm
N	max.	50	mm
N ₁	max.	28.5	mm
r ₁	min.	0.6	mm

Bolts with internal hexagon

Size bolt with internal hexagon	M 8
Tightening torque bolt with internal hexagon	23 N·m

Calculation data

Basic dynamic load rating	C	62	kN
Basic static load rating	C	78	kN
Specific dynamic load factor	K	100	N/mm ²
Material constant	K _M	330	

Mass

Mass rod end	0.77	kg
--------------	------	----