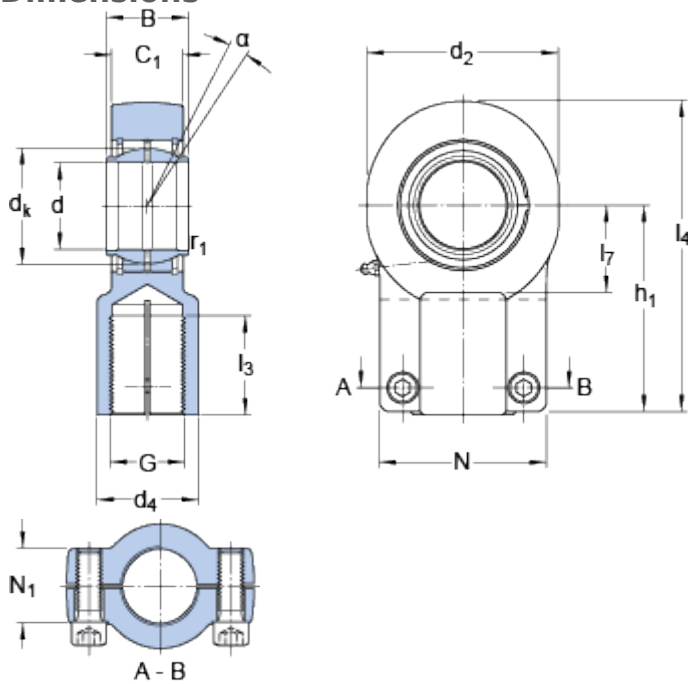


SIQG 40 ES

Dimensions



d		40	mm
d ₂	max.	95	mm
B		40	mm
G	6H	M 33x2	
C ₁	max.	34	mm
h ₁		97	mm
α		4	°
d _k		53	mm
d ₄	max.	49	mm
l ₃	min.	46	mm
l ₄	max.	143	mm
l ₇	min.	40	mm
N	max.	82	mm
N ₁	max.	28	mm
r ₁	min.	0.6	mm

Bolts with internal hexagon

Size bolt with internal hexagon	M 10
Tightening torque bolt with internal hexagon	46 N·m

Calculation data

Basic dynamic load rating	C	100	kN
Basic static load rating	C	176	kN
Specific dynamic load factor	K	100	N/mm ²
Material constant	K _M	330	

Mass

Mass rod end	2.07	kg
--------------	------	----