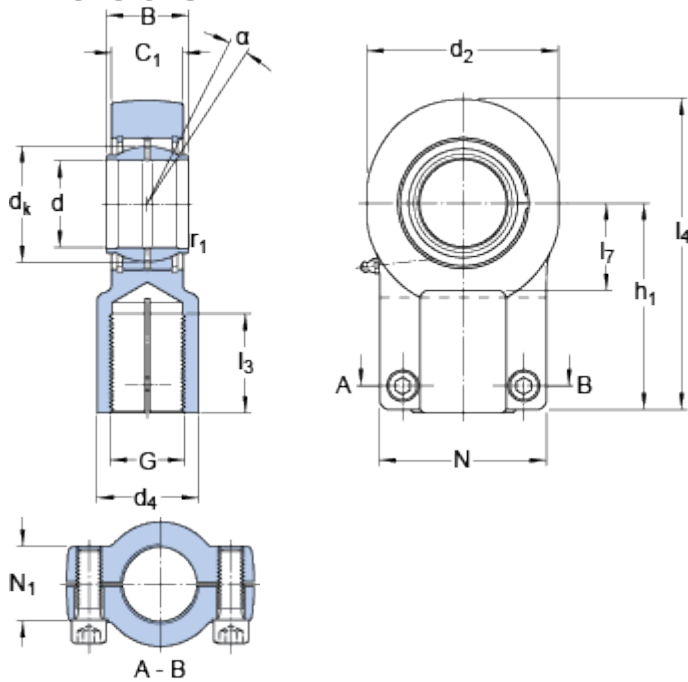


SIQG 32 ES

Dimensions



| | | | |
|----------------|------|--------|----|
| d | | 32 | mm |
| d ₂ | max. | 76 | mm |
| B | | 32 | mm |
| G | 6H | M 27x2 | |
| C ₁ | max. | 29 | mm |
| h ₁ | | 80 | mm |
| α | | 4 | ° |
| d _k | | 43 | mm |
| d ₄ | max. | 40 | mm |
| l ₃ | min. | 37 | mm |
| l ₄ | max. | 116.5 | mm |
| l ₇ | min. | 31 | mm |
| N | max. | 67 | mm |
| N ₁ | max. | 23.5 | mm |
| r ₁ | min. | 0.6 | mm |

Bolts with internal hexagon

| | |
|--|--------|
| Size bolt with internal hexagon | M 10 |
| Tightening torque bolt with internal hexagon | 46 N·m |

Calculation data

| | | | |
|------------------------------|----------------|------|-------------------|
| Basic dynamic load rating | C | 65.5 | kN |
| Basic static load rating | C | 100 | kN |
| Specific dynamic load factor | K | 100 | N/mm ² |
| Material constant | K _M | 330 | |

Mass

| | | |
|--------------|-----|----|
| Mass rod end | 1.2 | kg |
|--------------|-----|----|