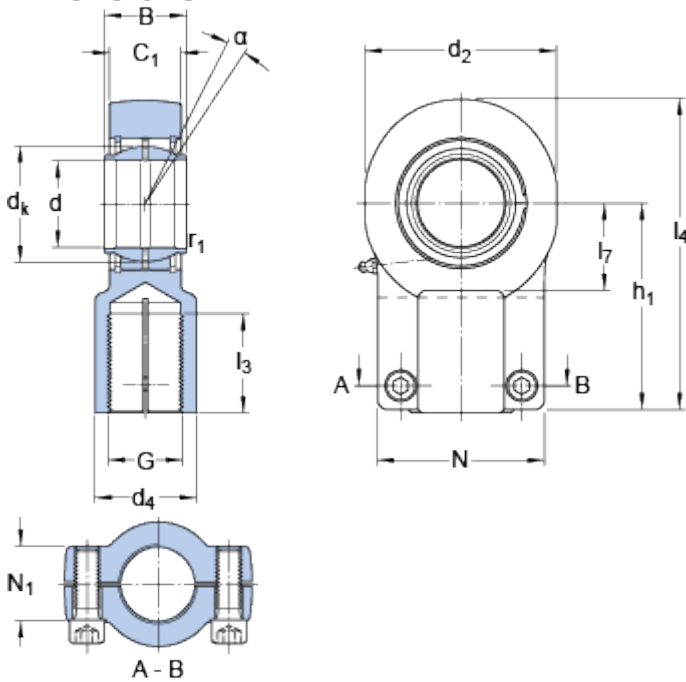


SIQG 25 ES

Dimensions



d		25	mm
d ₂	max.	62	mm
B		25	mm
G	6H	M 20x1.5	
C ₁	max.	23	mm
h ₁		65	mm
α		4	°
d _k		35.5	mm
d ₄	max.	32	mm
l ₃	min.	29	mm
l ₄	max.	95.5	mm
l ₇	min.	26	mm
N	max.	55	mm
N ₁	max.	20	mm
r ₁	min.	0.6	mm

Bolts with internal hexagon

Size bolt with internal hexagon	M 8
Tightening torque bolt with internal hexagon	23 N·m

Calculation data

Basic dynamic load rating	C	48	kN
Basic static load rating	C	69.5	kN
Specific dynamic load factor	K	100	N/mm ²
Material constant	K _M	330	

Mass

Mass rod end	0.66	kg
--------------	------	----