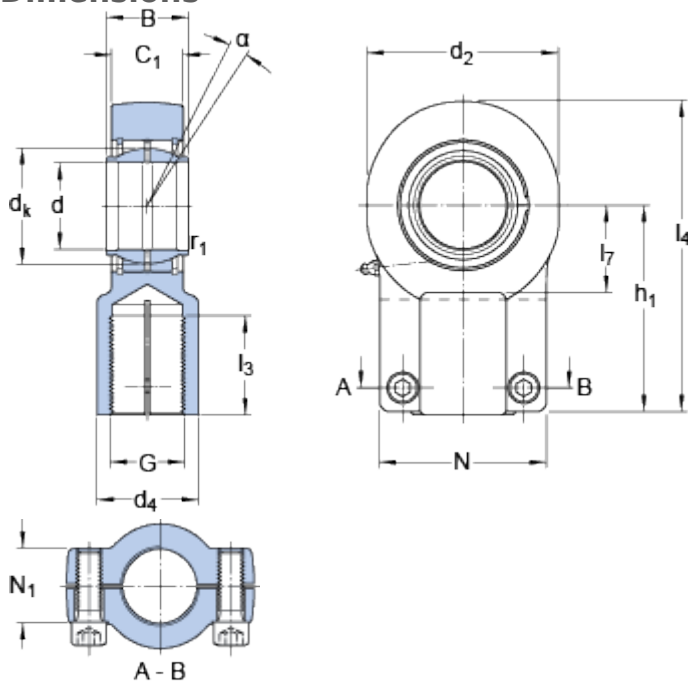


SIQG 20 ES

Dimensions



d		20	mm
d ₂	max.	50	mm
B		20	mm
G	6H	M 16x1.5	
C ₁	max.	19	mm
h ₁		52	mm
α		4	°
d _k		29	mm
d ₄	max.	26.5	mm
l ₃	min.	23	mm
l ₄	max.	77	mm
l ₇	min.	21	mm
N	max.	48	mm
N ₁	max.	20	mm
r ₁	min.	0.3	mm

Bolts with internal hexagon

Size bolt with internal hexagon	M 8
Tightening torque bolt with internal hexagon	23 N·m

Calculation data

Basic dynamic load rating	C	30	kN
Basic static load rating	C	43	kN
Specific dynamic load factor	K	100	N/mm ²
Material constant	K _M	330	

Mass

Mass rod end	0.4	kg
--------------	-----	----