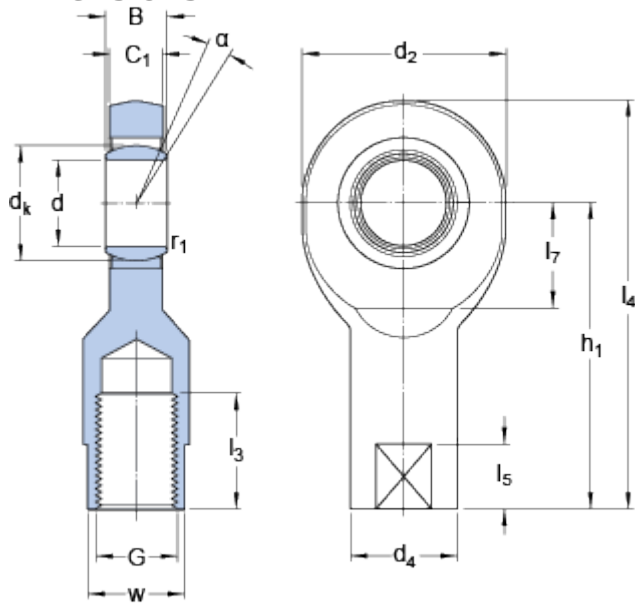


SIL 8 E

Dimensions



d		8	mm
d_2	max.	25	mm
B		8	mm
G	6H	M 8	
C_1	max.	6.5	mm
h_1		36	mm
α		15	°
d_k		13	mm
d_4	≈	13	mm
l_3	min.	15	mm
l_4	max.	50	mm
l_5	≈	9	mm
l_7	min.	11	mm
w	h14	11	mm
r_1	min.	0.3	mm

Calculation data

Basic dynamic load rating	C	5.5	kN
Basic static load rating	C	12.9	kN
Specific dynamic load factor	K	100	N/mm ²
Material constant	K_M	330	

Mass

Mass rod end		0.039	kg
--------------	--	-------	----