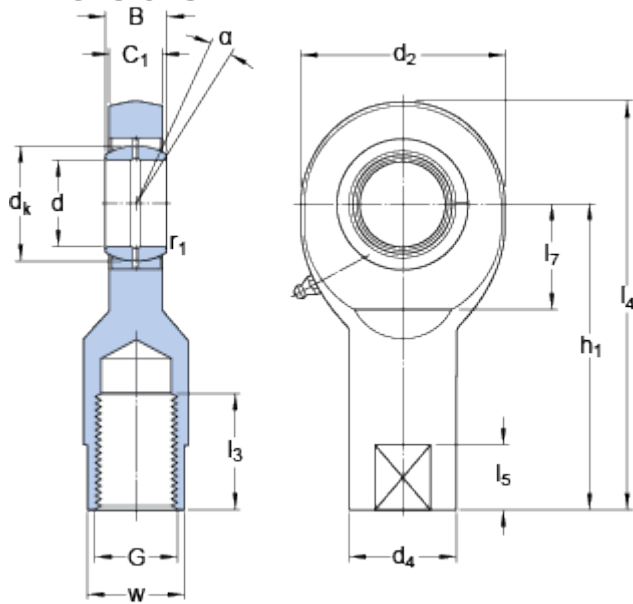


# SIL 30 ES

## Dimensions



$d$		30	mm
$d_2$	max.	75	mm
$B$		22	mm
$G$	6H	M 30x2	
$C_1$	max.	20	mm
$h_1$		110	mm
$\alpha$		6	°
$d_k$		40.7	mm
$d_4$	≈	42	mm
$l_3$	min.	45	mm
$l_4$	max.	149	mm
$l_5$	≈	19	mm
$l_7$	min.	36	mm
$w$	h14	36	mm
$r_1$	min.	0.6	mm

## Calculation data

Basic dynamic load rating	C	62	kN
Basic static load rating	C	116	kN
Specific dynamic load factor	K	100	N/mm <sup>2</sup>
Material constant	$K_M$	330	

## Mass

Mass rod end		1	kg
--------------	--	---	----