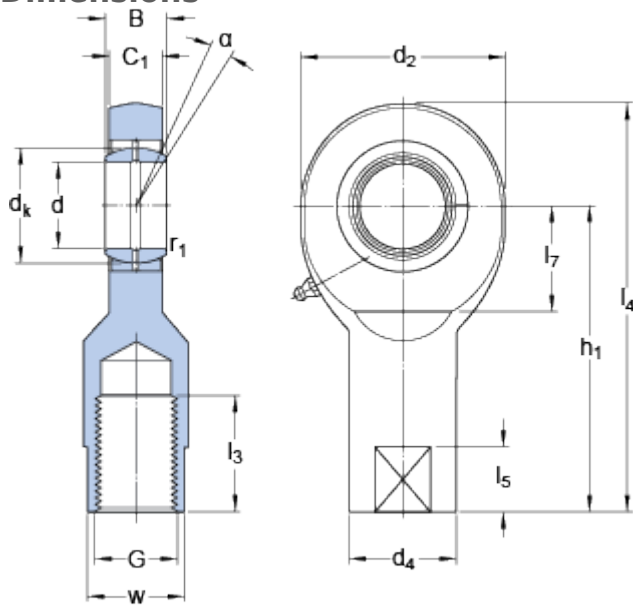


SIL 25 ES

Dimensions



d		25	mm
d ₂	max.	65	mm
B		20	mm
G	6H	M 24x2	
C ₁	max.	18	mm
h ₁		94	mm
α		7	°
d _k		35.5	mm
d ₄	≈	35	mm
l ₃	min.	36	mm
l ₄	max.	128	mm
l ₅	≈	18	mm
l ₇	min.	30	mm
w	h14	30	mm
r ₁	min.	0.6	mm

Calculation data

Basic dynamic load rating	C	48	kN
Basic static load rating	C	90	kN
Specific dynamic load factor	K	100	N/mm ²
Material constant	K _M	330	

Mass

Mass rod end	0.65	kg
--------------	------	----