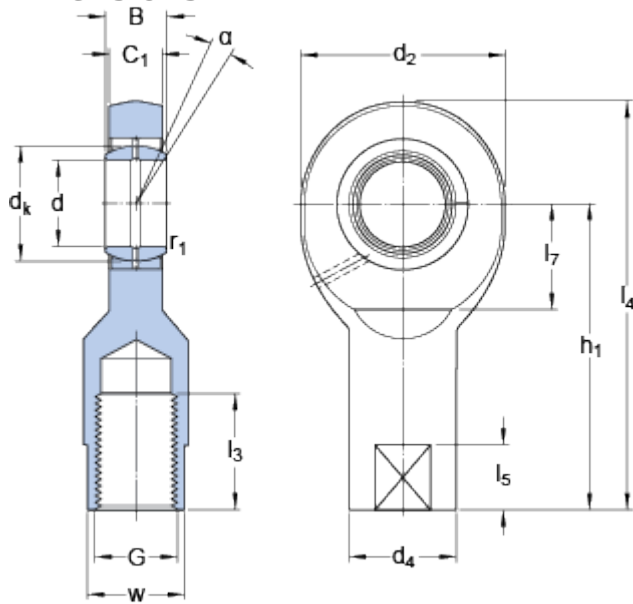


SIL 20 ES

Dimensions



d	20	mm
d ₂	max. 54	mm
B	16	mm
G	6H M 20x1.5	
C ₁	max. 13.5	mm
h ₁	77	mm
α	9	°
d _k	29	mm
d ₄	≈ 28	mm
l ₃	min. 30	mm
l ₄	max. 106	mm
l ₅	≈ 16	mm
l ₇	min. 24	mm
w	h14 24	mm
r ₁	min. 0.3	mm

Calculation data

Basic dynamic load rating	C	30	kN
Basic static load rating	C	57	kN
Specific dynamic load factor	K	100	N/mm ²
Material constant	K _M	330	

Mass

Mass rod end	0.34	kg
--------------	------	----