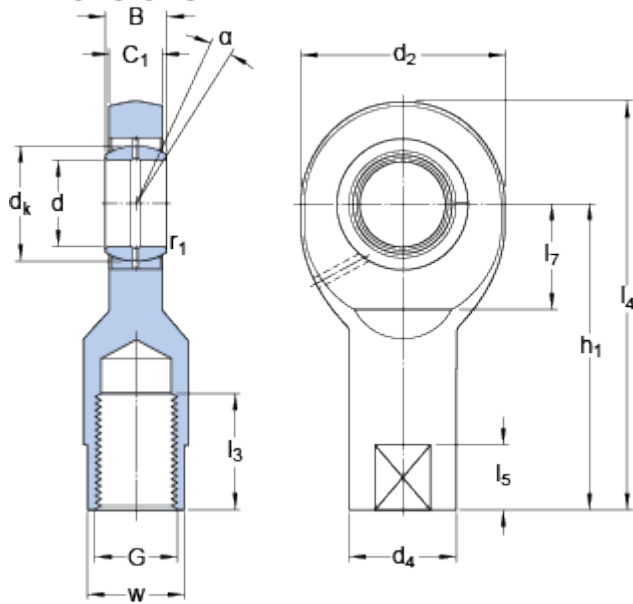


SIL 17 ES

Dimensions



d		17	mm
d_2	max.	47	mm
B		14	mm
G	6H	M 16	
C_1	max.	11.5	mm
h_1		67	mm
α		10	°
d_k		25	mm
d_4	≈	25	mm
l_3	min.	24	mm
l_4	max.	92	mm
l_5	≈	15	mm
l_7	min.	22	mm
w	h14	22	mm
r_1	min.	0.3	mm

Calculation data

Basic dynamic load rating	C	21.2	kN
Basic static load rating	C	44	kN
Specific dynamic load factor	K	100	N/mm ²
Material constant	K_M	330	

Mass

Mass rod end	0.25	kg
--------------	------	----