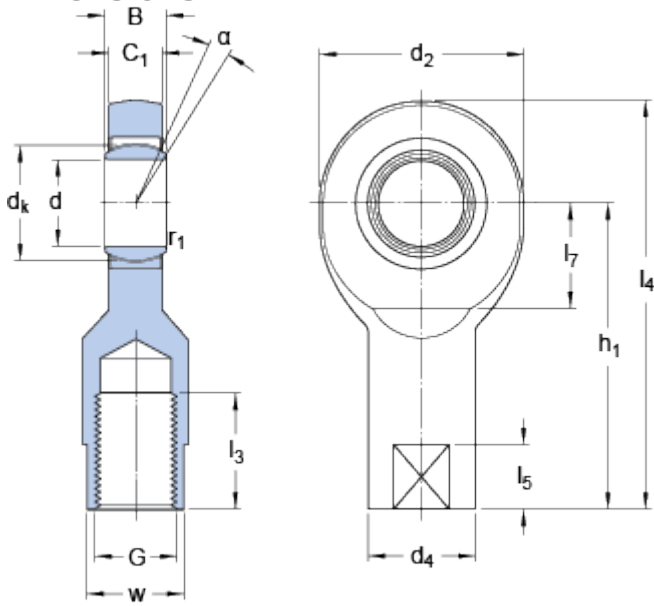


# SIL 17 C

## Dimensions



d		17	mm
d <sub>2</sub>	max.	47	mm
B		14	mm
G	6H	M 16	
C <sub>1</sub>	max.	11.5	mm
h <sub>1</sub>		67	mm
α		10	°
d <sub>k</sub>		25	mm
d <sub>4</sub>	≈	25	mm
l <sub>3</sub>	min.	24	mm
l <sub>4</sub>	max.	92	mm
l <sub>5</sub>	≈	15	mm
l <sub>7</sub>	min.	22	mm
w	h14	22	mm
r <sub>1</sub>	min.	0.3	mm

## Calculation data

Basic dynamic load rating	C	22.4	kN
Basic static load rating	C	46.5	kN
Specific dynamic load factor	K	100	N/mm <sup>2</sup>
Material constant	K <sub>M</sub>	1400	

## Mass

Mass rod end		0.25	kg
--------------	--	------	----