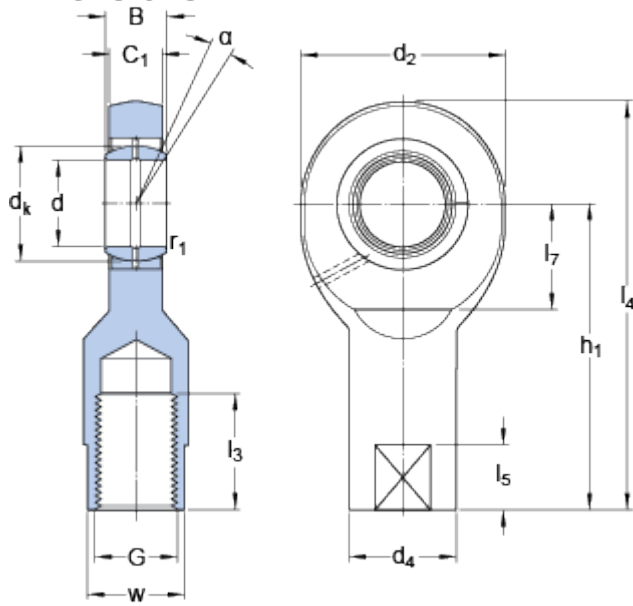


SIL 15 ES

Dimensions



d		15	mm
d_2	max.	41	mm
B		12	mm
G	6H	M 14	
C_1	max.	10.5	mm
h_1		61	mm
α		8	°
d_k		22	mm
d_4	≈	22	mm
l_3	min.	21	mm
l_4	max.	83	mm
l_5	≈	14	mm
l_7	min.	19	mm
w	h14	19	mm
r_1	min.	0.3	mm

Calculation data

Basic dynamic load rating	C	17	kN
Basic static load rating	C	37.5	kN
Specific dynamic load factor	K	100	N/mm ²
Material constant	K_M	330	

Mass

Mass rod end		0.18	kg
--------------	--	------	----