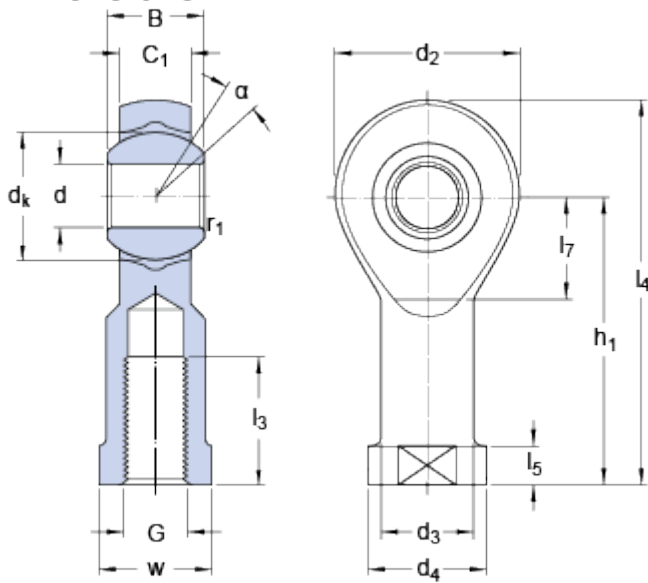


SILKB 8 F

Dimensions



d		8	mm
d ₂	max.	25	mm
B		12	mm
G	6H	M 8	
C ₁	max.	9.5	mm
h ₁		36	mm
α		14	°
d _k		15.8	mm
d ₃	≈	12.5	mm
d ₄	max.	17	mm
l ₃	min.	12	mm
l ₄	max.	50	mm
l ₅	≈	5	mm
l ₇	min.	12	mm
w	h14	14	mm
r ₁	min.	0.3	mm

Calculation data

Basic dynamic load rating	C	7.1	kN
Basic static load rating	C	11.4	kN
Specific dynamic load factor	K	50	N/mm ²
Material constant	K _M	530	

Mass

Mass rod end	0.047	kg
--------------	-------	----