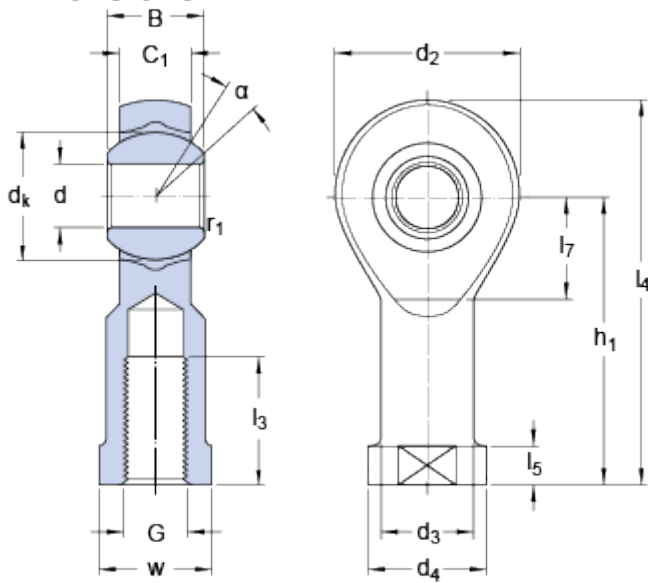


# SILKB 16 F

## Dimensions



d		16	mm
d <sub>2</sub>	max.	43	mm
B		21	mm
G	6H	M 16	
C <sub>1</sub>	max.	15.5	mm
h <sub>1</sub>		64	mm
α		15	°
d <sub>k</sub>		28.5	mm
d <sub>3</sub>	≈	22	mm
d <sub>4</sub>	max.	29	mm
l <sub>3</sub>	min.	24	mm
l <sub>4</sub>	max.	87	mm
l <sub>5</sub>	≈	8	mm
l <sub>7</sub>	min.	21	mm
w	h14	22	mm
r <sub>1</sub>	min.	0.3	mm

## Calculation data

Basic dynamic load rating	C	21.4	kN
Basic static load rating	C	34.5	kN
Specific dynamic load factor	K	50	N/mm <sup>2</sup>
Material constant	K <sub>M</sub>	530	

## Mass

Mass rod end		0.23	kg
--------------	--	------	----