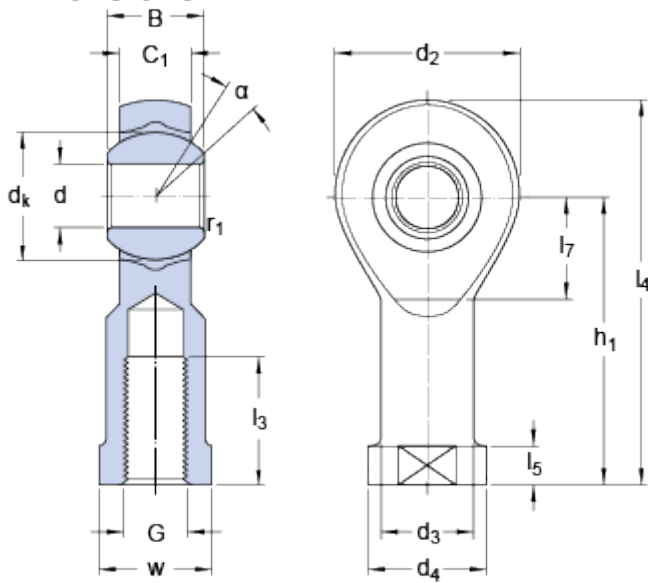


SILKB 14 F

Dimensions



d		14	mm
d ₂	max.	37	mm
B		19	mm
G	6H	M 14	
C ₁	max.	14.5	mm
h ₁		57	mm
α		16	°
d _k		25.4	mm
d ₃	≈	20	mm
d ₄	max.	27	mm
l ₃	min.	21	mm
l ₄	max.	77	mm
l ₅	≈	8	mm
l ₇	min.	18	mm
w	h14	22	mm
r ₁	min.	0.3	mm

Calculation data

Basic dynamic load rating	C	17	kN
Basic static load rating	C	27.5	kN
Specific dynamic load factor	K	50	N/mm ²
Material constant	K _M	530	

Mass

Mass rod end		0.16	kg
--------------	--	------	----