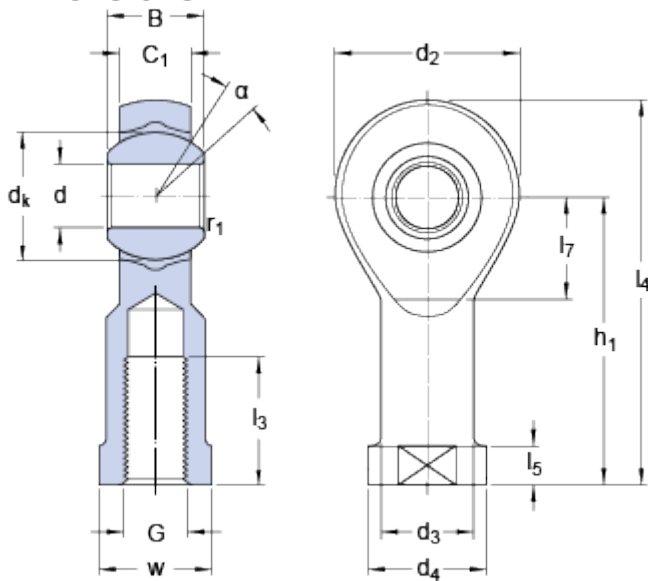


# SILKB 10 F

## Dimensions



d		10	mm
d <sub>2</sub>	max.	29	mm
B		14	mm
G	6H	M 10	
C <sub>1</sub>	max.	11.5	mm
h <sub>1</sub>		43	mm
α		13	°
d <sub>k</sub>		19	mm
d <sub>3</sub>	≈	15	mm
d <sub>4</sub>	max.	20	mm
l <sub>3</sub>	min.	15	mm
l <sub>4</sub>	max.	59	mm
l <sub>5</sub>	≈	6.5	mm
l <sub>7</sub>	min.	14	mm
w	h14	17	mm
r <sub>1</sub>	min.	0.3	mm

## Calculation data

Basic dynamic load rating	C	9.8	kN
Basic static load rating	C	14.3	kN
Specific dynamic load factor	K	50	N/mm <sup>2</sup>
Material constant	K <sub>M</sub>	530	

## Mass

Mass rod end	0.079	kg
--------------	-------	----