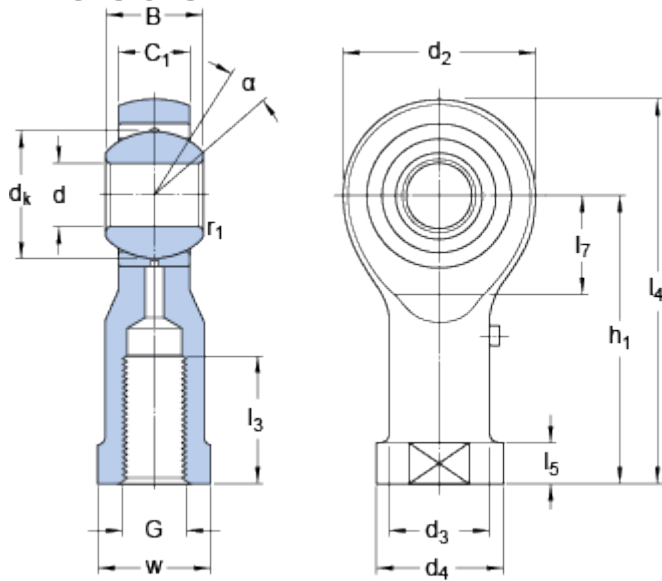


SILKAC 6 M

Dimensions



d		6	mm
d ₂	max.	21	mm
B		9	mm
G	6H	M 6	
C ₁	max.	7.5	mm
h ₁		30	mm
α		13	°
d _k		12.7	mm
d ₃	≈	10	mm
d ₄	max.	14	mm
l ₃	min.	9	mm
l ₄	max.	41	mm
l ₅	≈	5	mm
l ₇	min.	11	mm
w	h14	11	mm
r ₁	min.	0.3	mm

Calculation data

Basic dynamic load rating	C	4.3	kN
Basic static load rating	C	5.4	kN
Specific dynamic load factor	K	50	N/mm ²
Material constant	K _M	330	

Mass

Mass rod end	0.025	kg
--------------	-------	----