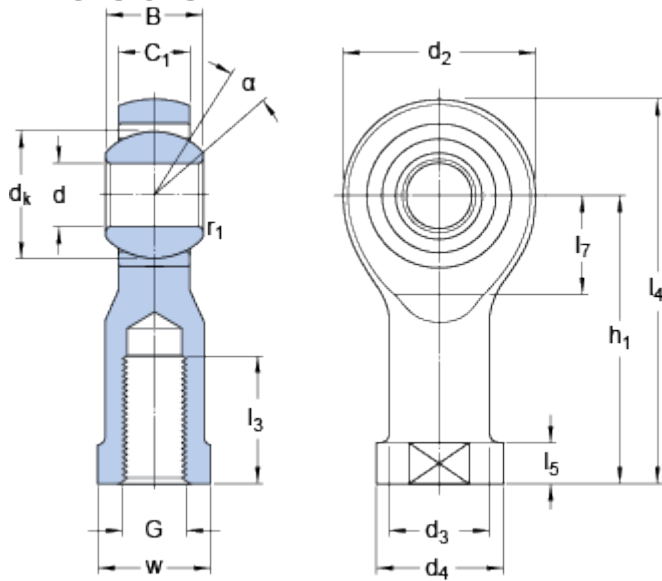


SILKAC 5 M

Dimensions



d		5	mm
d_2	max.	19	mm
B		8	mm
G	6H	M 5	
C_1	max.	7.5	mm
h_1		27	mm
α		13	°
d_k		11.1	mm
d_3	≈	9	mm
d_4	max.	12	mm
l_3	min.	8	mm
l_4	max.	37	mm
l_5	≈	4	mm
l_7	min.	9	mm
w	h14	9	mm
r_1	min.	0.3	mm

Calculation data

Basic dynamic load rating	C	3.25	kN
Basic static load rating	C	5.4	kN
Specific dynamic load factor	K	50	N/mm ²
Material constant	K_M	330	

Mass

Mass rod end		0.017	kg
--------------	--	-------	----