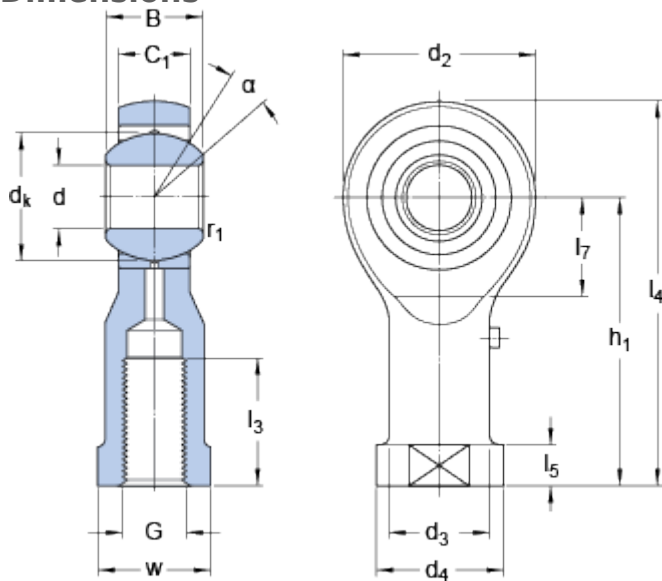


# SILKAC 25 M

## Dimensions



d		25	mm
d <sub>2</sub>	max.	61	mm
B		31	mm
G	6H	M 24x2	
C <sub>1</sub>	max.	23	mm
h <sub>1</sub>		94	mm
α		15	°
d <sub>k</sub>		42.8	mm
d <sub>3</sub>	≈	33.5	mm
d <sub>4</sub>	max.	44	mm
l <sub>3</sub>	min.	36	mm
l <sub>4</sub>	max.	125	mm
l <sub>5</sub>	≈	12	mm
l <sub>7</sub>	min.	30	mm
w	h14	36	mm
r <sub>1</sub>	min.	0.3	mm

## Calculation data

Basic dynamic load rating	C	47.5	kN
Basic static load rating	C	53	kN
Specific dynamic load factor	K	50	N/mm <sup>2</sup>
Material constant	K <sub>M</sub>	330	

## Mass

Mass rod end	0.65	kg
--------------	------	----