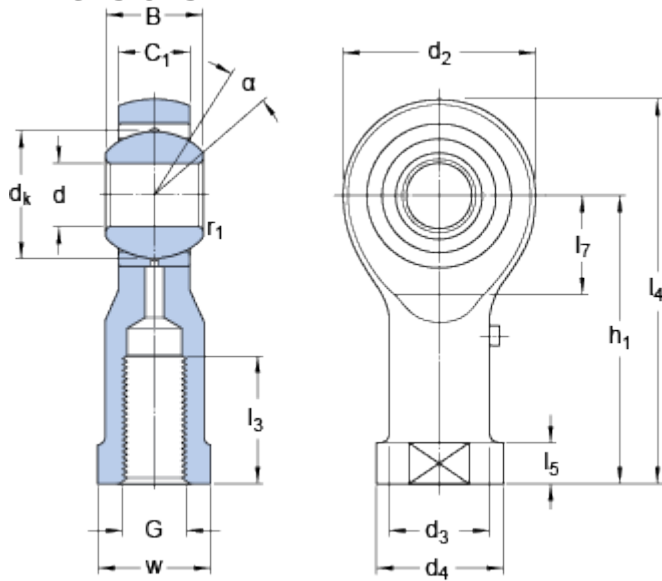


SILKAC 20 M

Dimensions



d		20	mm
d_2	max.	51	mm
B		25	mm
G	6H	M 20x1.5	
C_1	max.	18.5	mm
h_1		77	mm
α		14	°
d_k		34.9	mm
d_3	≈	27.5	mm
d_4	max.	37	mm
l_3	min.	30	mm
l_4	max.	103	mm
l_5	≈	10	mm
l_7	min.	25	mm
w	h14	30	mm
r_1	min.	0.3	mm

Calculation data

Basic dynamic load rating	C	31.5	kN
Basic static load rating	C	35.5	kN
Specific dynamic load factor	K	50	N/mm ²
Material constant	K_M	330	

Mass

Mass rod end		0.4	kg
--------------	--	-----	----