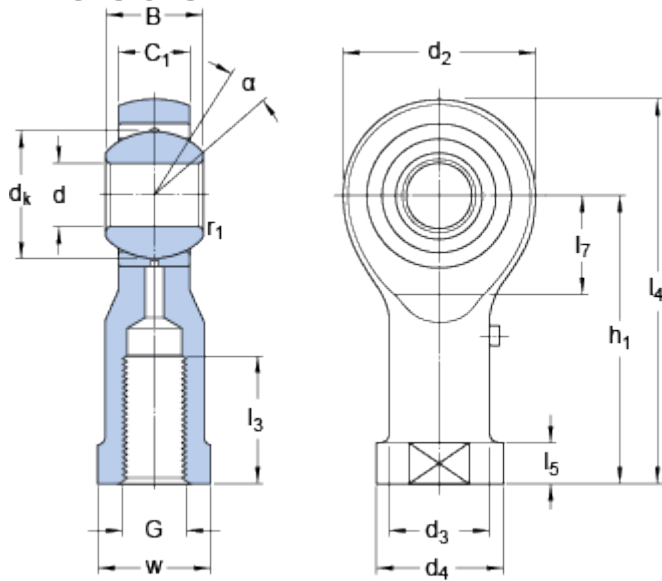


SILKAC 18 M

Dimensions



d	18	mm
d_2	max. 47	mm
B	23	mm
G	6H	M 18x1.5
C_1	max. 17.5	mm
h_1	71	mm
α	15	°
d_k	31.7	mm
d_3	≈ 25	mm
d_4	max. 32	mm
l_3	min. 27	mm
l_4	max. 95	mm
l_5	≈ 10	mm
l_7	min. 27	mm
w	h14	27 mm
r_1	min. 0.3	mm

Calculation data

Basic dynamic load rating	C	26	kN
Basic static load rating	C	35.5	kN
Specific dynamic load factor	K	50	N/mm ²
Material constant	K_M	330	

Mass

Mass rod end	0.3	kg
--------------	-----	----