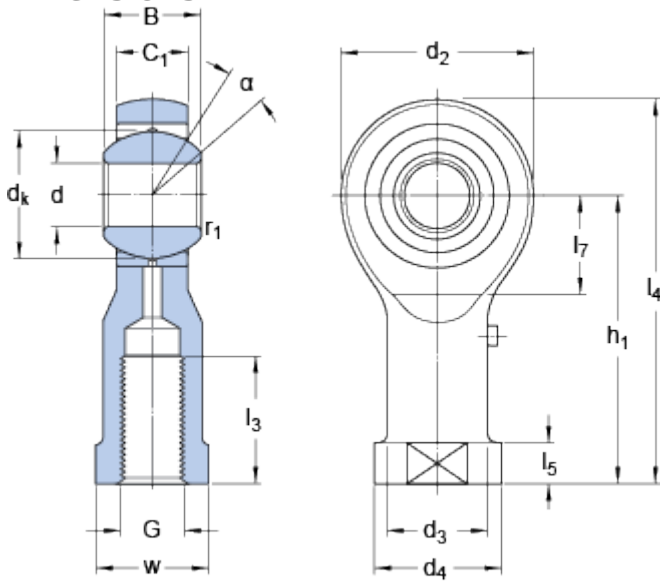


SILKAC 16 M

Dimensions



d		16	mm
d_2	max.	43	mm
B		21	mm
G	6H	M 16	
C_1	max.	15.5	mm
h_1		64	mm
α		15	°
d_k		28.5	mm
d_3	≈	22	mm
d_4	max.	29	mm
l_3	min.	24	mm
l_4	max.	86	mm
l_5	≈	8	mm
l_7	min.	21	mm
w	h14	22	mm
r_1	min.	0.3	mm

Calculation data

Basic dynamic load rating	C	21.6	kN
Basic static load rating	C	29	kN
Specific dynamic load factor	K	50	N/mm ²
Material constant	K_M	330	

Mass

Mass rod end		0.22	kg
--------------	--	------	----