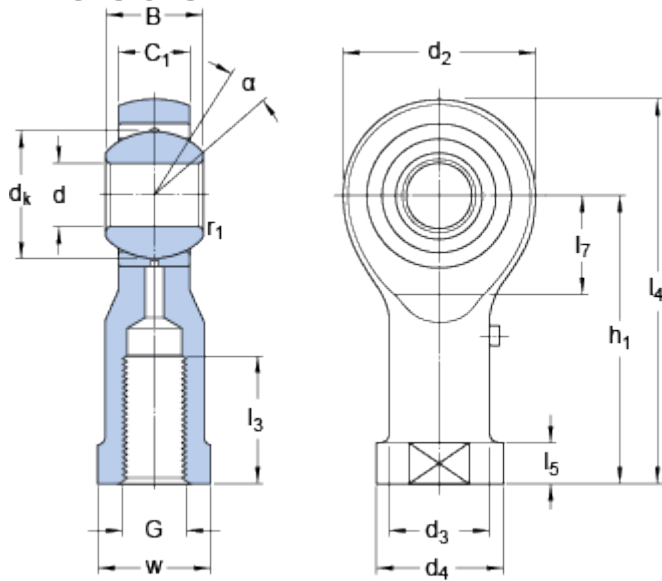


# SILKAC 14 M

## Dimensions



$d$		14	mm
$d_2$	max.	37	mm
$B$		19	mm
$G$	6H	M 14	
$C_1$	max.	14.5	mm
$h_1$		57	mm
$\alpha$		16	°
$d_k$		25.4	mm
$d_3$	≈	20	mm
$d_4$	max.	27	mm
$l_3$	min.	21	mm
$l_4$	max.	76	mm
$l_5$	≈	8	mm
$l_7$	min.	18	mm
$w$	h14	22	mm
$r_1$	min.	0.3	mm

## Calculation data

Basic dynamic load rating	C	17	kN
Basic static load rating	C	20.4	kN
Specific dynamic load factor	K	50	N/mm <sup>2</sup>
Material constant	$K_M$	330	

## Mass

Mass rod end		0.16	kg
--------------	--	------	----