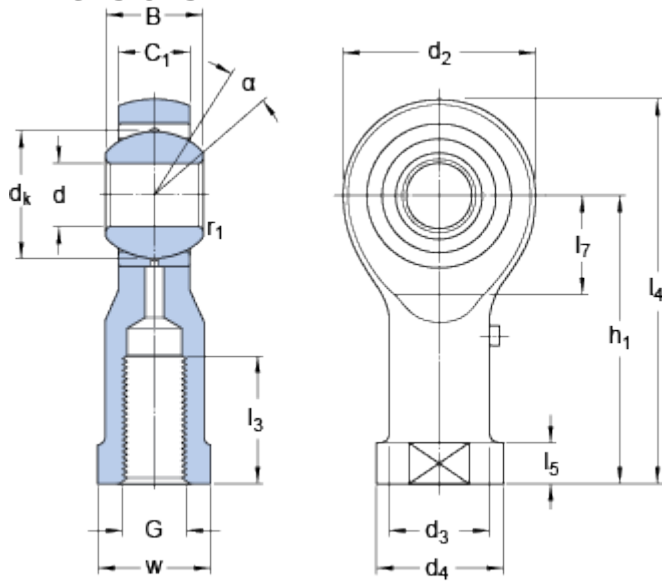


SILKAC 12 M

Dimensions



d		12	mm
d ₂	max.	33	mm
B		16	mm
G	6H	M 12	
C ₁	max.	12.5	mm
h ₁		50	mm
α		13	°
d _k		22.2	mm
d ₃	≈	17.5	mm
d ₄	max.	23	mm
l ₃	min.	18	mm
l ₄	max.	67	mm
l ₅	≈	6.5	mm
l ₇	min.	16	mm
w	h14	19	mm
r ₁	min.	0.3	mm

Calculation data

Basic dynamic load rating	C	13.4	kN
Basic static load rating	C	14	kN
Specific dynamic load factor	K	50	N/mm ²
Material constant	K _M	330	

Mass

Mass rod end	0.11	kg
--------------	------	----