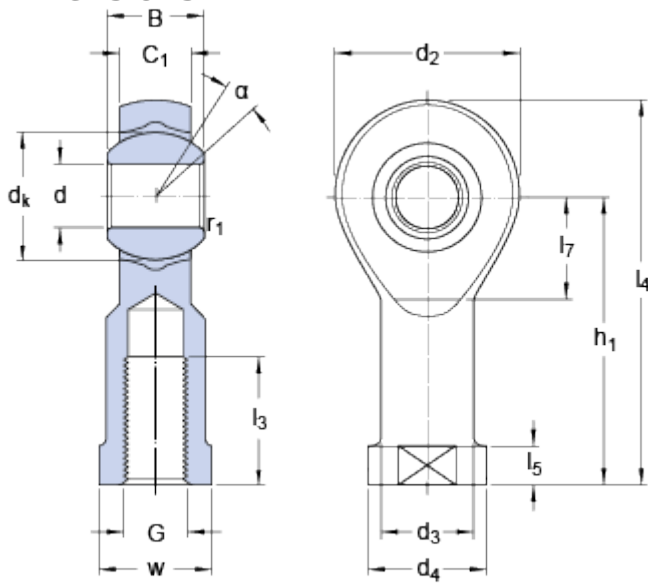


# SIKB 8 F

## Dimensions



d		8	mm
d <sub>2</sub>	max.	25	mm
B		12	mm
G	6H	M 8	
C <sub>1</sub>	max.	9.5	mm
h <sub>1</sub>		36	mm
α		14	°
d <sub>k</sub>		15.8	mm
d <sub>3</sub>	≈	12.5	mm
d <sub>4</sub>	max.	17	mm
l <sub>3</sub>	min.	12	mm
l <sub>4</sub>	max.	50	mm
l <sub>5</sub>	≈	5	mm
l <sub>7</sub>	min.	12	mm
w	h14	14	mm
r <sub>1</sub>	min.	0.3	mm

## Calculation data

Basic dynamic load rating	C	7.1	kN
Basic static load rating	C	11.4	kN
Specific dynamic load factor	K	50	N/mm <sup>2</sup>
Material constant	K <sub>M</sub>	530	

## Mass

Mass rod end	0.047	kg
--------------	-------	----