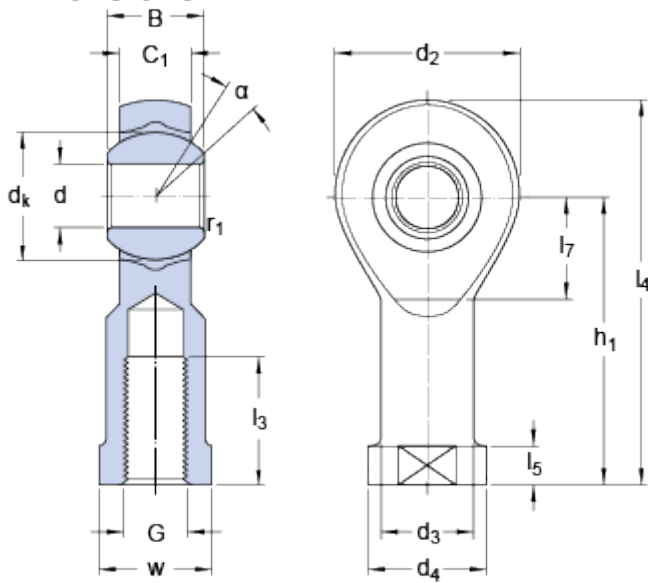


# SIKB 5 F

## Dimensions



$d$		5	mm
$d_2$	max.	19	mm
$B$		8	mm
$G$	6H	M 5	
$C_1$	max.	7.5	mm
$h_1$		27	mm
$\alpha$		13	°
$d_k$		11.1	mm
$d_3$	≈	9	mm
$d_4$	max.	12	mm
$l_3$	min.	8	mm
$l_4$	max.	38	mm
$l_5$	≈	4	mm
$l_7$	min.	9	mm
$w$	h14	9	mm
$r_1$	min.	0.3	mm

## Calculation data

Basic dynamic load rating	C	3.25	kN
Basic static load rating	C	5.3	kN
Specific dynamic load factor	K	50	N/mm <sup>2</sup>
Material constant	$K_M$	530	

## Mass

Mass rod end	0.019	kg
--------------	-------	----