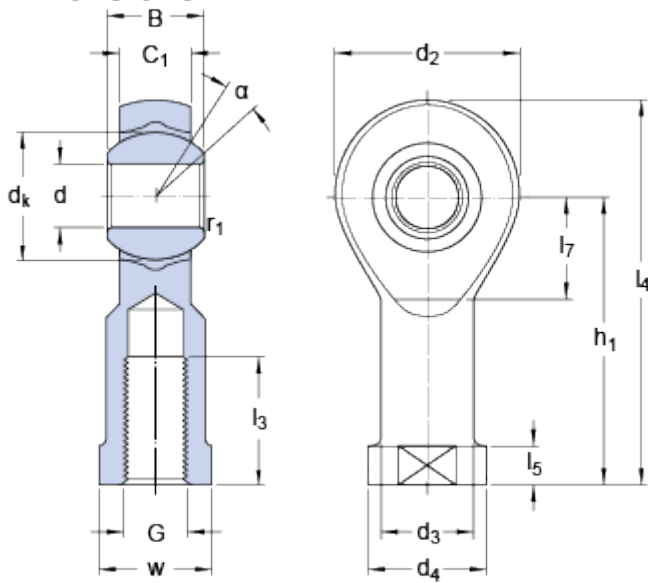


SIKB 20 F

Dimensions



d	20	mm
d ₂	max. 51	mm
B	25	mm
G	6H	M 20x1.5
C ₁	max. 18.5	mm
h ₁	77	mm
α	14	°
d _k	34.9	mm
d ₃	≈ 27.5	mm
d ₄	max. 37	mm
l ₃	min. 30	mm
l ₄	max. 105	mm
l ₅	≈ 10	mm
l ₇	min. 25	mm
w	h14	32 mm
r ₁	min. 0.3	mm

Calculation data

Basic dynamic load rating	C	31	kN
Basic static load rating	C	50	kN
Specific dynamic load factor	K	50	N/mm ²
Material constant	K _M	530	

Mass

Mass rod end	0.38	kg
--------------	------	----