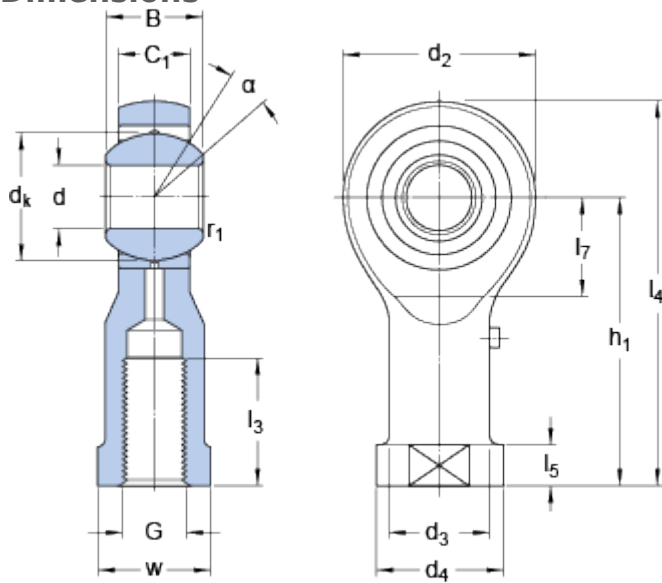


# SIKAC 8 M

## Dimensions



$d$		8	mm
$d_2$	max.	25	mm
$B$		12	mm
$G$	6H	M 8	
$C_1$	max.	9.5	mm
$h_1$		36	mm
$\alpha$		13	°
$d_k$		15.8	mm
$d_3$	≈	12.5	mm
$d_4$	max.	17	mm
$l_3$	min.	12	mm
$l_4$	max.	49	mm
$l_5$	≈	5	mm
$l_7$	min.	12	mm
$w$	h14	14	mm
$r_1$	min.	0.3	mm

## Calculation data

Basic dynamic load rating	C	7.2	kN
Basic static load rating	C	9.15	kN
Specific dynamic load factor	K	50	N/mm <sup>2</sup>
Material constant	$K_M$	330	

## Mass

Mass rod end	0.043	kg
--------------	-------	----