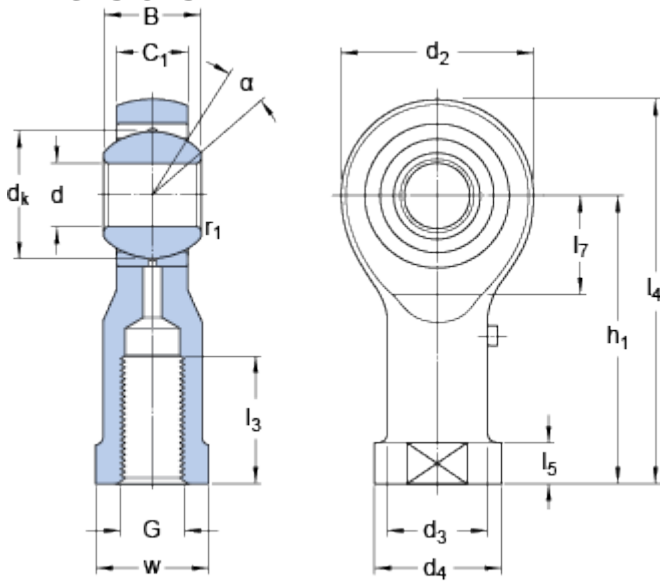


SIKAC 25 M

Dimensions



d	25	mm
d ₂	max. 61	mm
B	31	mm
G	6H M 24x2	
C ₁	max. 23	mm
h ₁	94	mm
α	15	°
d _k	42.8	mm
d ₃	≈ 33.5	mm
d ₄	max. 44	mm
l ₃	min. 36	mm
l ₄	max. 125	mm
l ₅	≈ 12	mm
l ₇	min. 30	mm
w	h14 36	mm
r ₁	min. 0.3	mm

Calculation data

Basic dynamic load rating	C	47.5	kN
Basic static load rating	C	53	kN
Specific dynamic load factor	K	50	N/mm ²
Material constant	K _M	330	

Mass

Mass rod end	0.65	kg
--------------	------	----