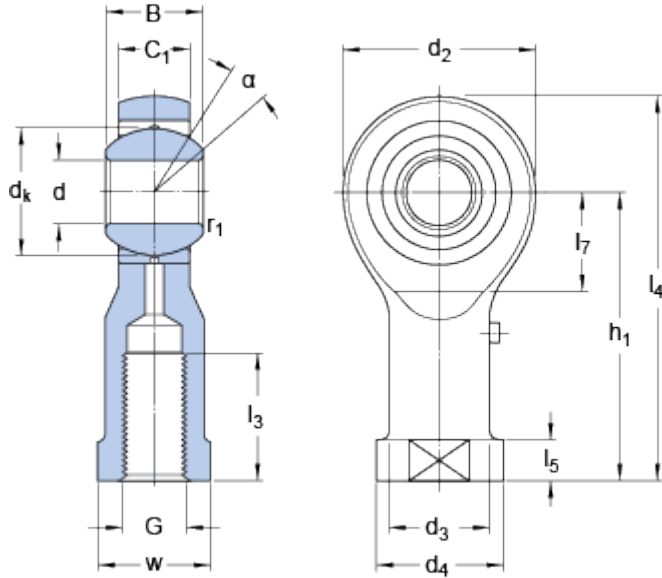


# SIKAC 20 M

## Dimensions



$d$	20	mm
$d_2$	max. 51	mm
$B$	25	mm
$G$	6H M 20x1.5	
$C_1$	max. 18.5	mm
$h_1$	77	mm
$\alpha$	14	°
$d_k$	34.9	mm
$d_3$	≈ 27.5	mm
$d_4$	max. 37	mm
$l_3$	min. 30	mm
$l_4$	max. 103	mm
$l_5$	≈ 10	mm
$l_7$	min. 25	mm
$w$	h14 30	mm
$r_1$	min. 0.3	mm

## Calculation data

Basic dynamic load rating	C	31.5	kN
Basic static load rating	C	35.5	kN
Specific dynamic load factor	K	50	N/mm <sup>2</sup>
Material constant	$K_M$	330	

## Mass

Mass rod end	0.4	kg
--------------	-----	----