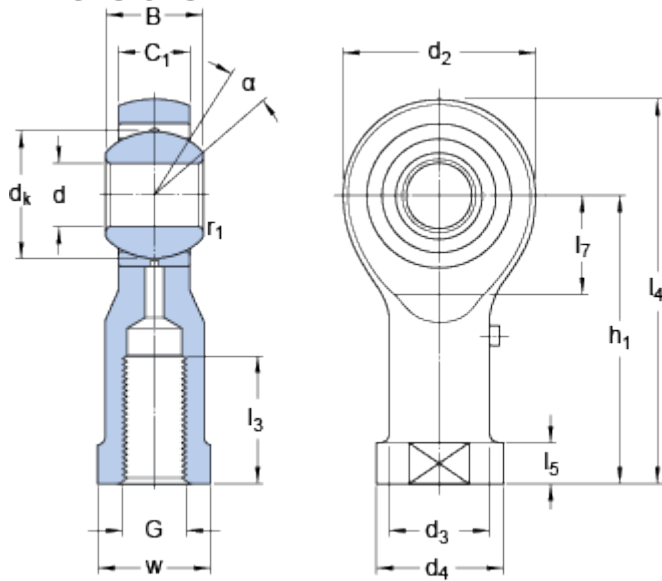


SIKAC 16 M

Dimensions



| | | | |
|----------|------|------|----|
| d | | 16 | mm |
| d_2 | max. | 43 | mm |
| B | | 21 | mm |
| G | 6H | M 16 | |
| C_1 | max. | 15.5 | mm |
| h_1 | | 64 | mm |
| α | | 15 | ° |
| d_k | | 28.5 | mm |
| d_3 | ≈ | 22 | mm |
| d_4 | max. | 29 | mm |
| l_3 | min. | 24 | mm |
| l_4 | max. | 86 | mm |
| l_5 | ≈ | 8 | mm |
| l_7 | min. | 21 | mm |
| w | h14 | 22 | mm |
| r_1 | min. | 0.3 | mm |

Calculation data

| | | | |
|------------------------------|-------|------|-------------------|
| Basic dynamic load rating | C | 21.6 | kN |
| Basic static load rating | C | 29 | kN |
| Specific dynamic load factor | K | 50 | N/mm ² |
| Material constant | K_M | 330 | |

Mass

| | | | |
|--------------|--|------|----|
| Mass rod end | | 0.22 | kg |
|--------------|--|------|----|