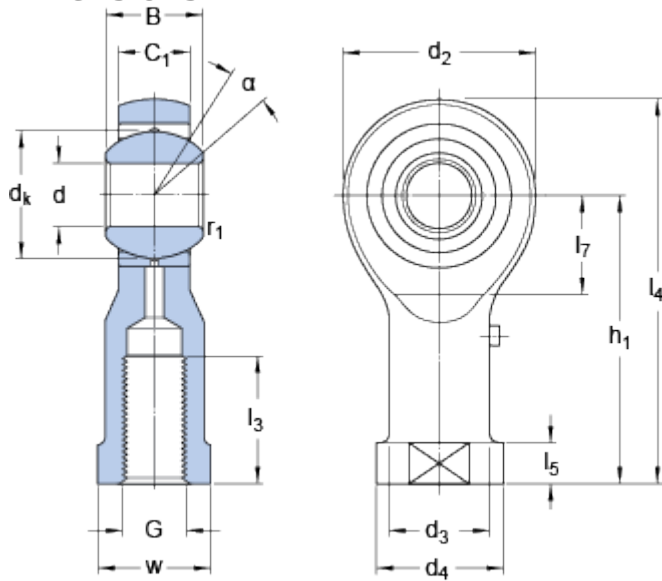


SIKAC 14 M

Dimensions



d		14	mm
d_2	max.	37	mm
B		19	mm
G	6H	M 14	
C_1	max.	14.5	mm
h_1		57	mm
α		16	°
d_k		25.4	mm
d_3	≈	20	mm
d_4	max.	27	mm
l_3	min.	21	mm
l_4	max.	76	mm
l_5	≈	8	mm
l_7	min.	18	mm
w	h14	22	mm
r_1	min.	0.3	mm

Calculation data

Basic dynamic load rating	C	17	kN
Basic static load rating	C	20.4	kN
Specific dynamic load factor	K	50	N/mm ²
Material constant	K_M	330	

Mass

Mass rod end		0.16	kg
--------------	--	------	----