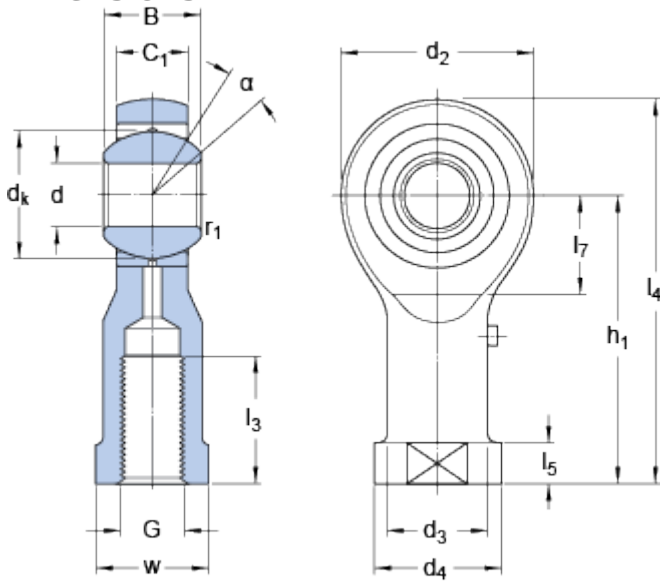


SIKAC 10 M

Dimensions



d		10	mm
d_2	max.	29	mm
B		14	mm
G	6H	M 10	
C_1	max.	11.5	mm
h_1		43	mm
α		13	°
d_k		19	mm
d_3	≈	15	mm
d_4	max.	20	mm
l_3	min.	15	mm
l_4	max.	58	mm
l_5	≈	6.5	mm
l_7	min.	14	mm
w	h14	17	mm
r_1	min.	0.3	mm

Calculation data

Basic dynamic load rating	C	10	kN
Basic static load rating	C	12.2	kN
Specific dynamic load factor	K	50	N/mm ²
Material constant	K_M	330	

Mass

Mass rod end	0.072	kg
--------------	-------	----