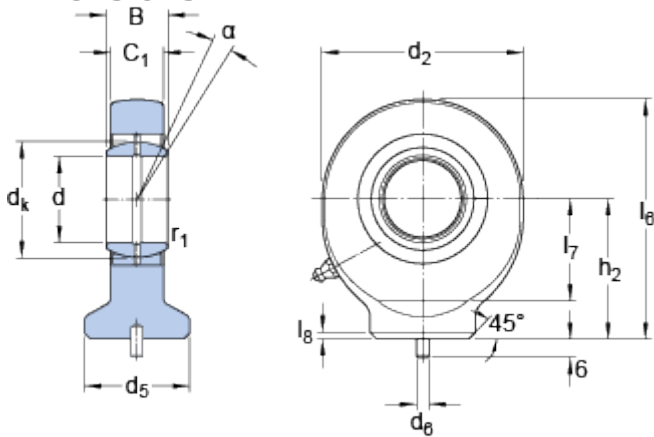


SC 40 ES

Dimensions



d		40	mm
d ₂	max.	94	mm
B		28	mm
C ₁	max.	24	mm
h ₂	js13	69	mm
α		7	°
d _k		53	mm
d ₅	max.	54	mm
d ₆		4	mm
l ₆	max.	118	mm
l ₇	min.	46	mm
l ₈		4	mm
r ₁	min.	0.6	mm

Calculation data

Basic dynamic load rating	C	100	kN
Basic static load rating	C	134	kN
Specific dynamic load factor	K	100	N/mm ²
Material constant	K _M	330	

Mass

Mass rod end		1.3	kg
--------------	--	-----	----