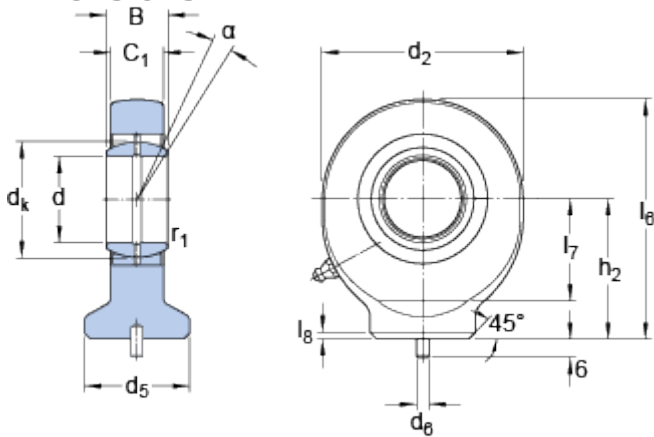


SC 30 ES

Dimensions



d		30	mm
d ₂	max.	75	mm
B		22	mm
C ₁	max.	20	mm
h ₂	js13	51	mm
α		6	°
d _k		40.7	mm
d ₅	max.	42	mm
d ₆		4	mm
l ₆	max.	89	mm
l ₇	min.	34	mm
l ₈		3	mm
r ₁	min.	0.6	mm

Calculation data

Basic dynamic load rating	C	62	kN
Basic static load rating	C	96.5	kN
Specific dynamic load factor	K	100	N/mm ²
Material constant	K _M	330	

Mass

Mass rod end		0.65	kg
--------------	--	------	----