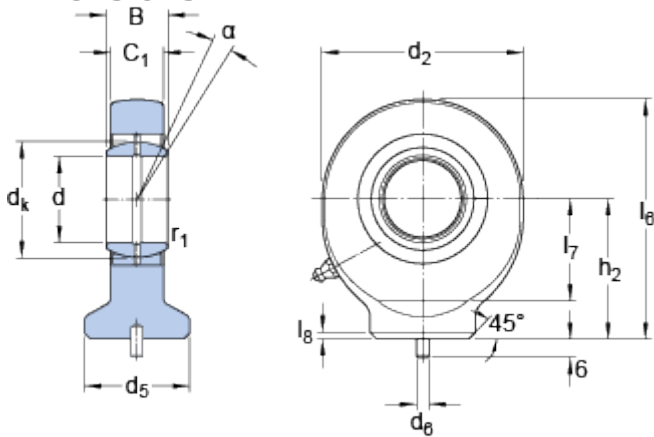


# SC 25 ES

## Dimensions



d		25	mm
d <sub>2</sub>	max.	65	mm
B		20	mm
C <sub>1</sub>	max.	18	mm
h <sub>2</sub>	js13	45	mm
α		7	°
d <sub>k</sub>		35.5	mm
d <sub>5</sub>	max.	35	mm
d <sub>6</sub>		4	mm
l <sub>6</sub>	max.	78	mm
l <sub>7</sub>	min.	30	mm
l <sub>8</sub>		3	mm
r <sub>1</sub>	min.	0.6	mm

## Calculation data

Basic dynamic load rating	C	48	kN
Basic static load rating	C	73.5	kN
Specific dynamic load factor	K	100	N/mm <sup>2</sup>
Material constant	K <sub>M</sub>	330	

## Mass

Mass rod end		0.45	kg
--------------	--	------	----