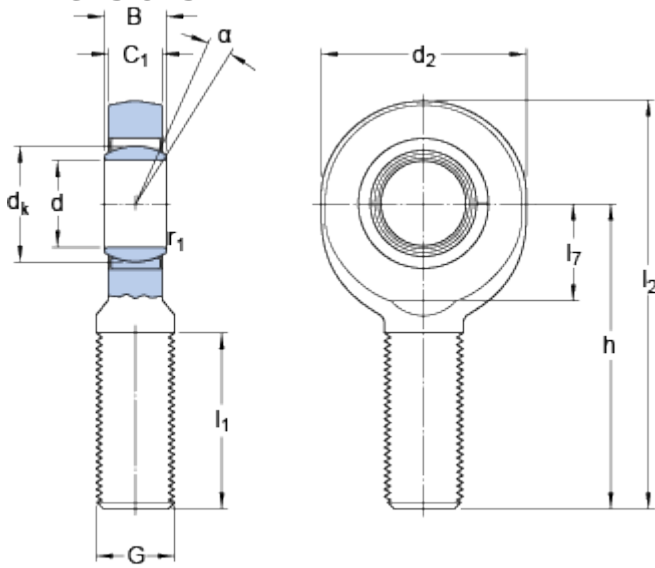


# SA 6 E

## Dimensions



d		6	mm
d <sub>2</sub>	max.	22	mm
B		6	mm
G		M 6	
C <sub>1</sub>	max.	4.5	mm
h		36	mm
α		13	°
d <sub>k</sub>		10	mm
l <sub>1</sub>	min.	16	mm
l <sub>2</sub>	max.	49	mm
l <sub>7</sub>	min.	10	mm
r <sub>1</sub>	min.	0.3	mm

## Calculation data

Basic dynamic load rating	C	3.4	kN
Basic static load rating	C	8.15	kN
Specific dynamic load factor	K	100	N/mm <sup>2</sup>
Material constant	K <sub>M</sub>	330	

## Mass

Mass rod end	0.017	kg
--------------	-------	----