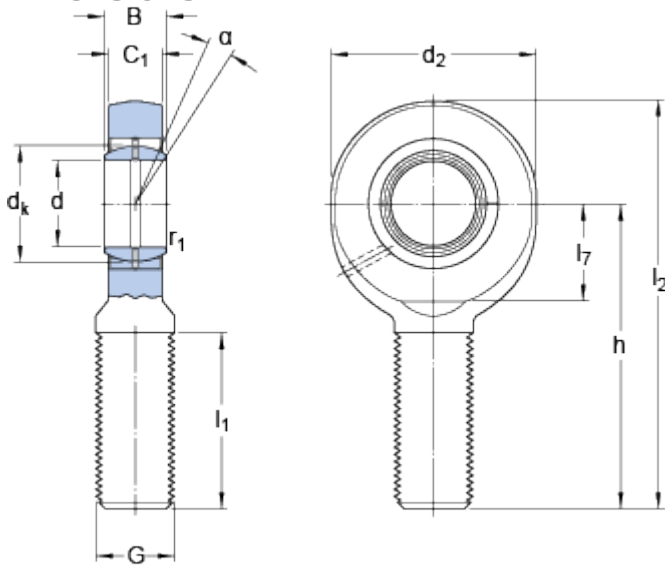


SA 20 ES

Dimensions



d	20	mm
d ₂ max.	54	mm
B	16	mm
G	M 20x1.5	
C ₁ max.	13.5	mm
h	78	mm
α	9	°
d _k	29	mm
l ₁ min.	43	mm
l ₂ max.	107	mm
l ₇ min.	24	mm
r ₁ min.	0.3	mm

Calculation data

Basic dynamic load rating	C	30	kN
Basic static load rating	C	42.5	kN
Specific dynamic load factor	K	100	N/mm ²
Material constant	K _M	330	

Mass

Mass rod end	0.32	kg
--------------	------	----