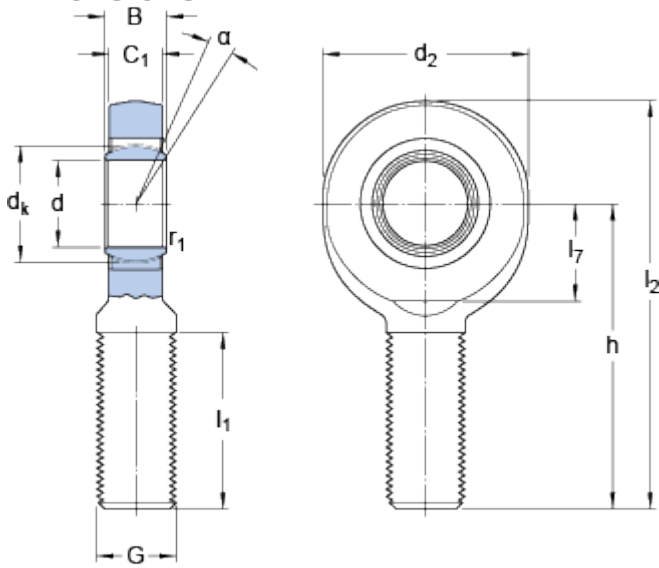


# SA 20 C

## Dimensions



d		20	mm
d <sub>2</sub>	max.	54	mm
B		16	mm
G		M 20x1.5	
C <sub>1</sub>	max.	13.5	mm
h		78	mm
α		9	°
d <sub>k</sub>		29	mm
l <sub>1</sub>	min.	43	mm
l <sub>2</sub>	max.	107	mm
l <sub>7</sub>	min.	24	mm
r <sub>1</sub>	min.	0.3	mm

## Calculation data

Basic dynamic load rating	C	31.5	kN
Basic static load rating	C	42.5	kN
Specific dynamic load factor	K	100	N/mm <sup>2</sup>
Material constant	K <sub>M</sub>	1400	

## Mass

Mass rod end		0.32	kg
--------------	--	------	----