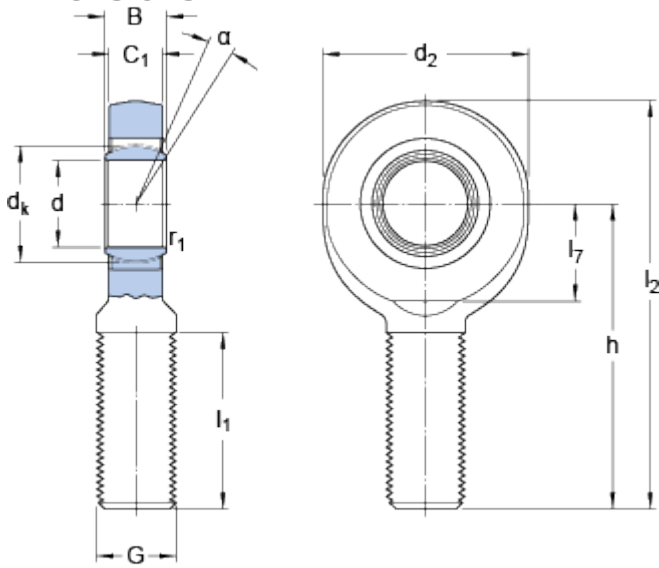


# SA 17 C

## Dimensions



d		17	mm
d <sub>2</sub>	max.	47	mm
B		14	mm
G		M 16	
C <sub>1</sub>	max.	11.5	mm
h		69	mm
α		10	°
d <sub>k</sub>		25	mm
l <sub>1</sub>	min.	36	mm
l <sub>2</sub>	max.	94	mm
l <sub>7</sub>	min.	22	mm
r <sub>1</sub>	min.	0.3	mm

## Calculation data

Basic dynamic load rating	C	22.4	kN
Basic static load rating	C	31	kN
Specific dynamic load factor	K	100	N/mm <sup>2</sup>
Material constant	K <sub>M</sub>	1400	

## Mass

Mass rod end		0.19	kg
--------------	--	------	----