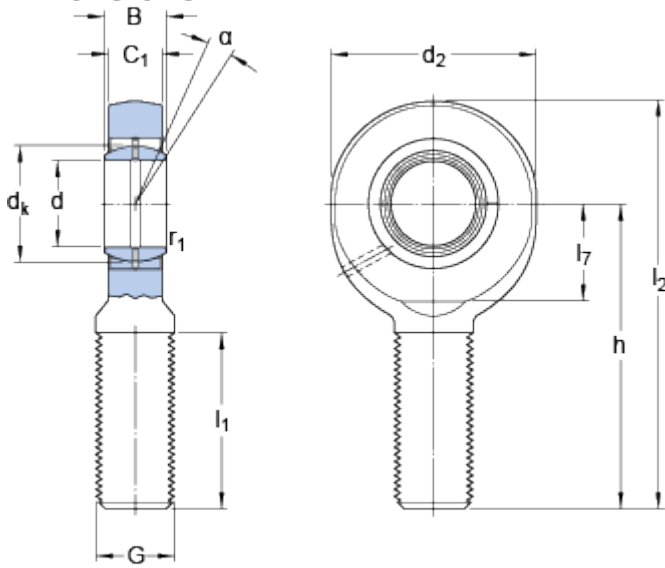


# SA 15 ES

## Dimensions



d		15	mm
d <sub>2</sub>	max.	41	mm
B		12	mm
G		M 14	
C <sub>1</sub>	max.	10.5	mm
h		63	mm
α		8	°
d <sub>k</sub>		22	mm
l <sub>1</sub>	min.	34	mm
l <sub>2</sub>	max.	85	mm
l <sub>7</sub>	min.	19	mm
r <sub>1</sub>	min.	0.3	mm

## Calculation data

Basic dynamic load rating	C	17	kN
Basic static load rating	C	28	kN
Specific dynamic load factor	K	100	N/mm <sup>2</sup>
Material constant	K <sub>M</sub>	330	

## Mass

Mass rod end	0.13	kg
--------------	------	----