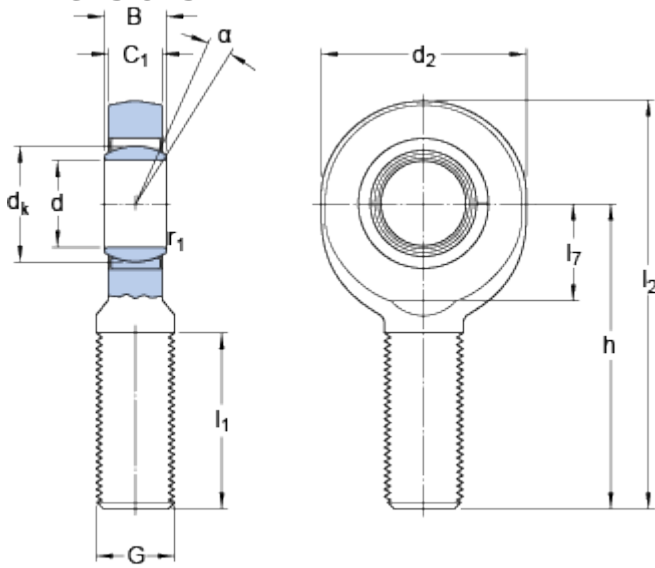


SA 12 E

Dimensions



d		12	mm
d ₂	max.	35	mm
B		10	mm
G		M 12	
C ₁	max.	8.5	mm
h		54	mm
α		10	°
d _k		18	mm
l ₁	min.	28	mm
l ₂	max.	73	mm
l ₇	min.	17	mm
r ₁	min.	0.3	mm

Calculation data

Basic dynamic load rating	C	10.8	kN
Basic static load rating	C	24.5	kN
Specific dynamic load factor	K	100	N/mm ²
Material constant	K _M	330	

Mass

Mass rod end		0.078	kg
--------------	--	-------	----