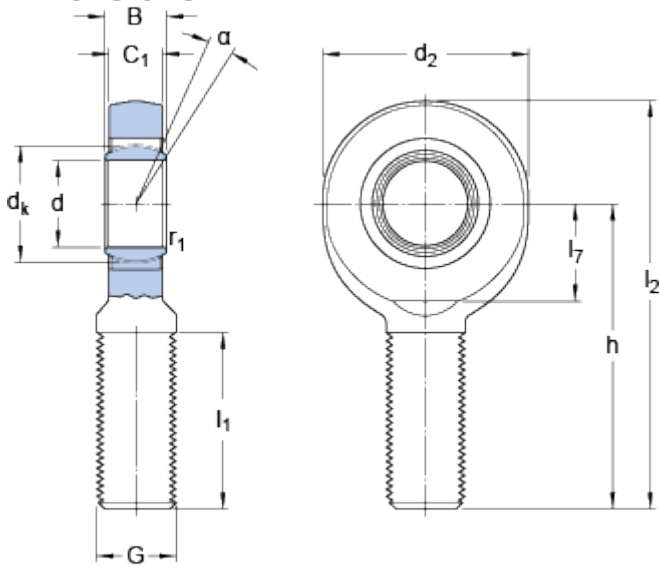


# SA 12 C

## Dimensions



d		12	mm
d <sub>2</sub>	max.	35	mm
B		10	mm
G		M 12	
C <sub>1</sub>	max.	8.5	mm
h		54	mm
α		10	°
d <sub>k</sub>		18	mm
l <sub>1</sub>	min.	28	mm
l <sub>2</sub>	max.	73	mm
l <sub>7</sub>	min.	17	mm
r <sub>1</sub>	min.	0.3	mm

## Calculation data

Basic dynamic load rating	C	11.4	kN
Basic static load rating	C	24.5	kN
Specific dynamic load factor	K	100	N/mm <sup>2</sup>
Material constant	K <sub>M</sub>	1400	

## Mass

Mass rod end	0.078	kg
--------------	-------	----