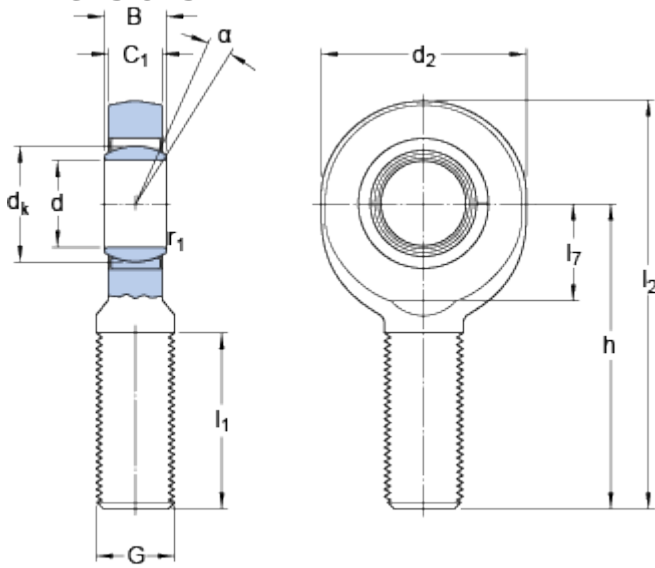


SA 10 E

Dimensions



d		10	mm
d ₂	max.	30	mm
B		9	mm
G		M 10	
C ₁	max.	7.5	mm
h		48	mm
α		12	°
d _k		16	mm
l ₁	min.	26	mm
l ₂	max.	65	mm
l ₇	min.	13	mm
r ₁	min.	0.3	mm

Calculation data

Basic dynamic load rating	C	8.15	kN
Basic static load rating	C	18.3	kN
Specific dynamic load factor	K	100	N/mm ²
Material constant	K _M	330	

Mass

Mass rod end	0.053	kg
--------------	-------	----